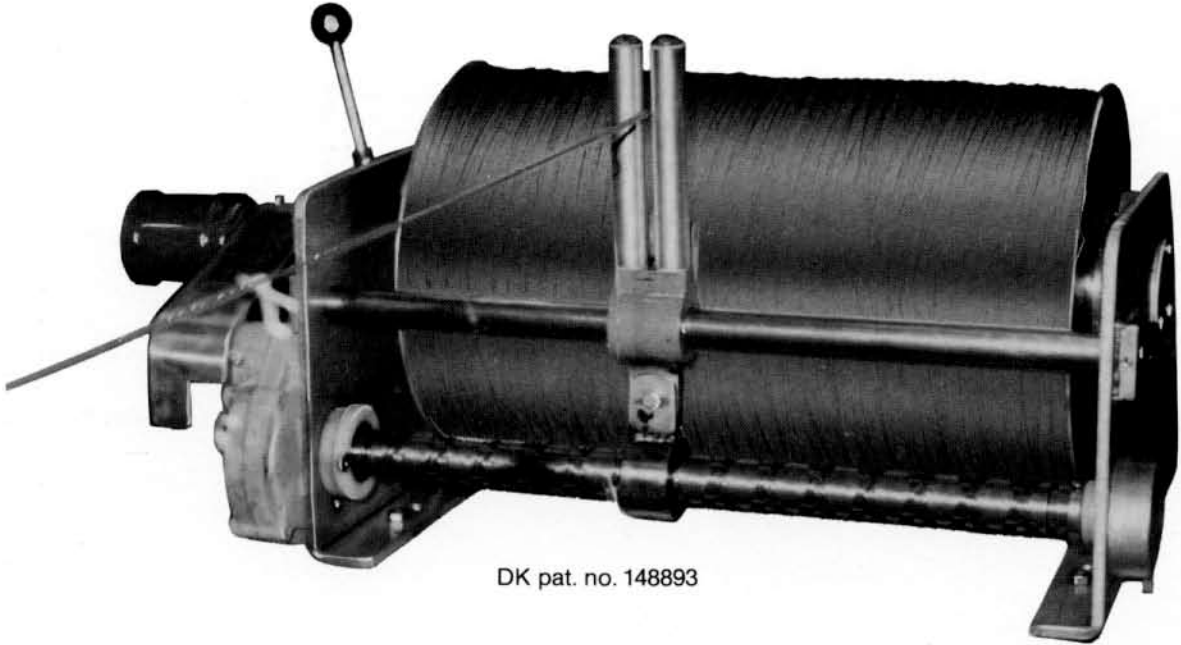


MUNKEBO LONGLINE WINCH



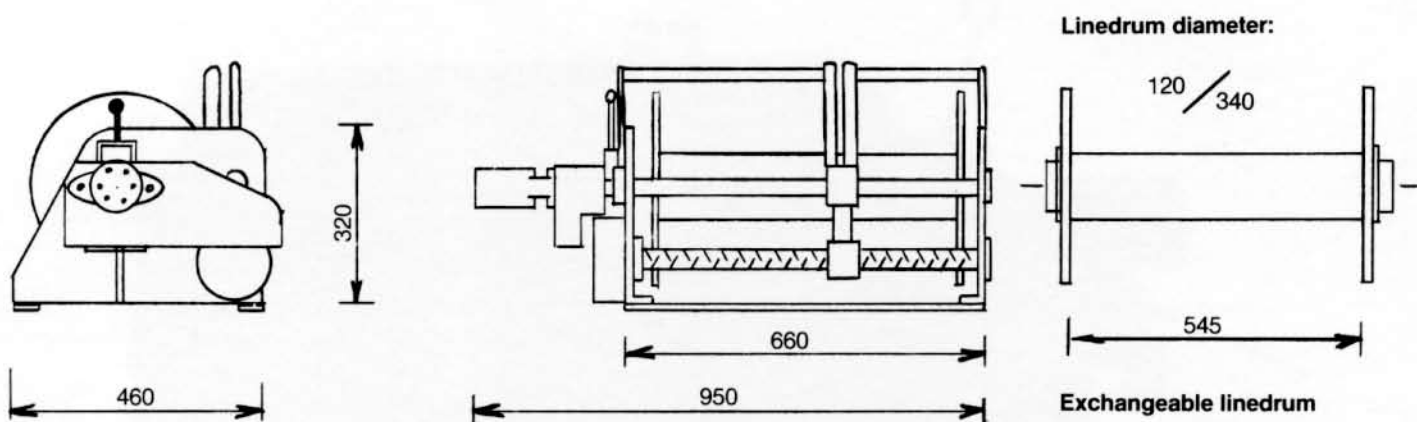
DK pat. no. 148893

-
- combined hydraulic hook- and trap winch
 - simple and compact system for one-man fishing
 - quick exchange of linedrums - no tools necessary
 - automatic dispersion of lines on drums
 - lines not in use, can be stored on drums
 - the system can handle an unlimited length of line
 - variable adjustment of hauling speed and hauling force
-



- Simple and compact system for one-man fishing...

Combined hydraulic hook- and trap winch



DATA:

Hauling speed per min.....	0-60 m
Hauling force	0-180 kg
Capacity of linedrums, 3,0 mm line, approx.	4000 m
Capacity of linedrums, 6,5 mm line, approx.	1400 m
Weight incl. linedrum, excl. line, approx.....	52 kg

Bagenkop Smede- & Maskinværksted ApS

Havnegade 2 - 5935 Bagenkop

Tlf +45 62 56 13 21 - Fax +45 62 56 13 08